

BSG SERIES

ORDERING INFORMATION

SERIES

BSG

SERIES
BSG

WATTAGE/SOURCE

40P

WATTAGE/SOURCE
**PULSE START
METAL HALIDE**
17P = 175W (ED-28)
20P = 200W (ED-28)
25P = 250W (ED-28)
32P = 320W (ED-28)
35P = 350W (ED-37)
40P = 400W (ED-37)

HIGH PRESSURE SODIUM
25S = 250W (ED-18)
40S = 400W (ED-18)

VOLTAGE

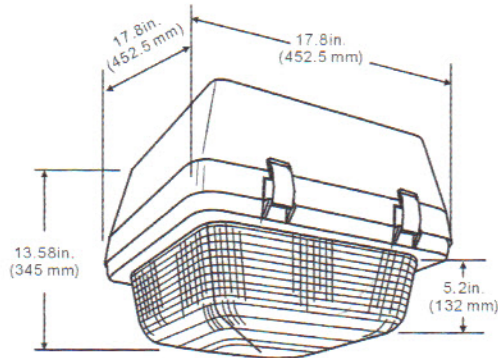
MT

VOLTAGE
MT= MULTI-TAP BALLAST
(120, 208, 240, 277)
5T = 5-TAP BALLAST
(120, 208, 240, 277, 480)

OPTIONS

OPTIONS
QRS = QUARTZ RESTRIKE
(150W)

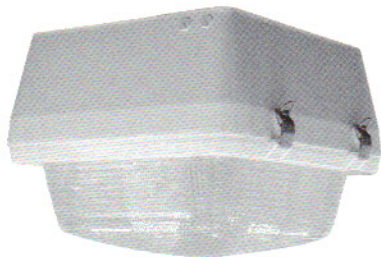
DIMENSIONS



SNELSON OILFIELD LIGHTING
3619 ALICE STREET
FORT WORTH, TX 76110

www.snelsonlights.com

817-926-0571 Phone
817-926-0741 Fax



FEATURES & SPECIFICATIONS:

Construction

- Rugged, heavy-duty die cast aluminum housing and door frame with soft corners for architectural appeal
- Hinged door frame is secured to housing with (2) tool-less latches for easy access to lamp chamber
- One-piece silicone rubber gasket provides a consistent water-tight seal
- ½" tapped holes are available for optional photocell (by others)

Optical System

- One-piece anodized aluminum reflector
- Heat and impact resistant borosilicate prismatic glass lens for even light distribution

Electrical System

- Mogul base porcelain socket, 4KV pulse rated. HID ballasts are high power factor, constant wattage autotransformer
- Recommended for ambient temperatures ranging from - 40°C to 25°C

Finish

- Standard finish is white powder coat

BSG SERIES SURFACE MOUNT HID

LISTINGS:

- UL/CUL Listed (UL 1598)
- Suitable for wet locations

APPLICATIONS:

- Canopies
- Parking areas
- Recreation areas
- Walkways
- Loading docks

SHIPPING WEIGHT:

- 33 LBS