



INTENDED USE:

Designed for use in hazardous locations where flammable gases, vapors and combustible dusts are normally present

FEATURES & SPECIFICATIONS:

Construction

- Housing and end caps are heavy-duty cast, copper-free aluminum that is both durable and corrosion resistant
- End caps are removable without the use of special tools
- External hardware is 316 stainless steel
- One-piece high temperature propylene gasket protects ballast housing and end caps from outside elements
- Spring-loaded sockets provide positive electrical contact and vibration resistance
- Threaded end caps allow relamping from either side of the fixture

Optical System

- Reflector is heavy-duty extruded aluminum with a white powder coat finish providing high reflectance
- Tempered borosilicate glass tubes

Electrical

- Ballasts are UL listed (UL 935) and CSA certified, Class P, high power factor, Type 1 Outdoor, Type HL
- All electronic ballasts are universal voltage (120V-277V) operating at 50/60 HZ standard
- Lamps are supplied standard on 2' and 4' models

7200 SERIES

**EXPLOSION PROOF
FLUORESCENT
CLASS I, DIV. 1
GROUPS C & D**

LISTINGS:

- UL/CUL Listed (UL 844)
Class I, Div. 1
Groups C & D
- UL Listed (UL 1598A)
Marine/Outdoor use
- ABS Approved
- 55°C Ambient
- 25°C EM

APPLICATIONS:

- Drilling rigs
- Offshore platforms
- Waste water treatment plants
- Paint booths
- Shipyard facilities
- Coastal marine areas
- Chemical plants
- Pharmaceutical plants
- Mining
- Cold storage facilities
- Hazardous storage areas
- Corrosive environments

OPTIONS:

- Emergency battery pack (1100 lumens)
- Wire guard (4' only)
- Shock mount kit
- 4' Stainless steel safety cable

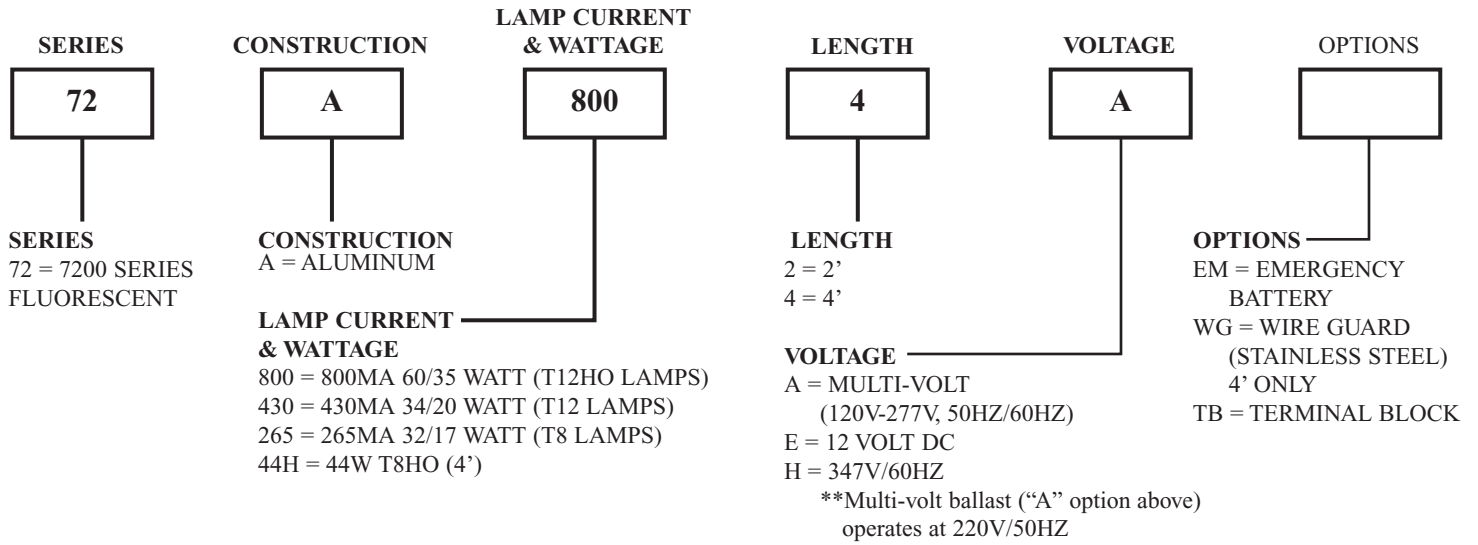
SHIPPING WEIGHT:

- 53 LBS (Standard Unit)
- 75 LBS (Emergency Unit)

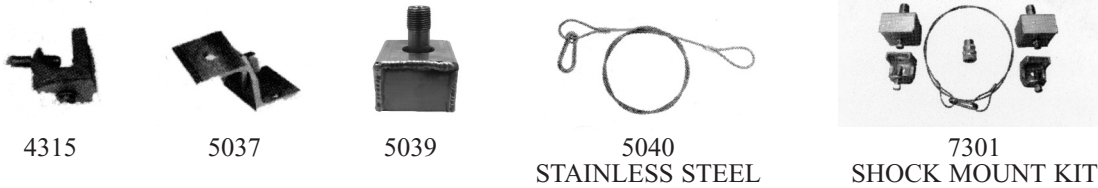


7200 SERIES FLUORESCENT

ORDERING INFORMATION



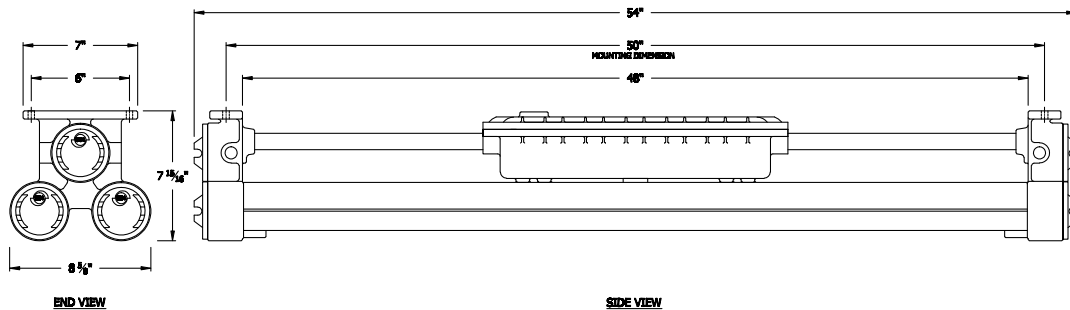
MOUNTING OPTIONS



RELATED PRODUCTS



DIMENSIONS



SNELSON OILFIELD LIGHTING
 5910 WEST BY NORTHWEST #100
 HOUSTON, TX 77040

www.snelsonlights.com

713-937-3600 Phone
 866-563-2832 Phone
 713-937-3604 Fax

